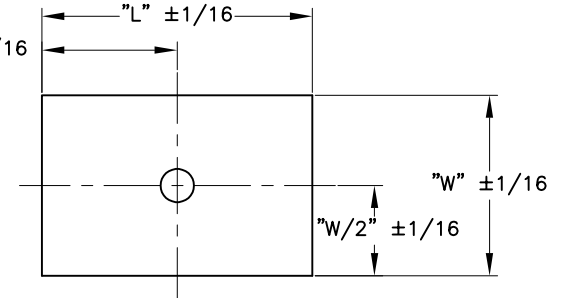
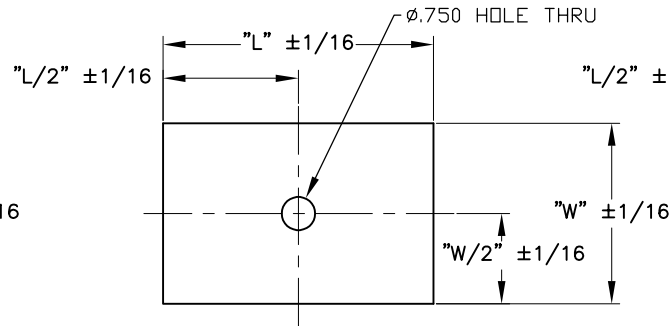
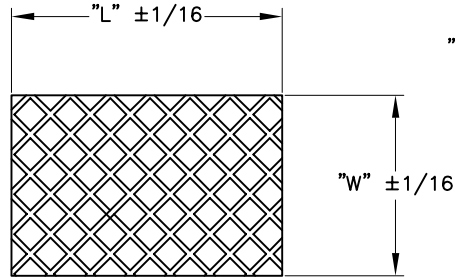
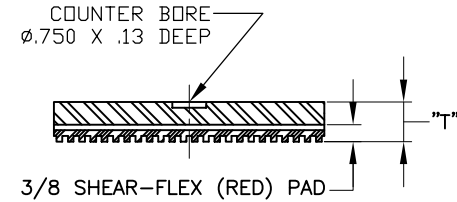
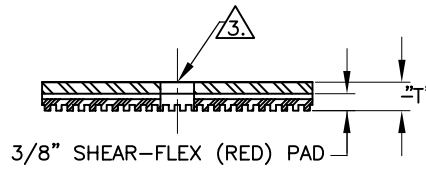
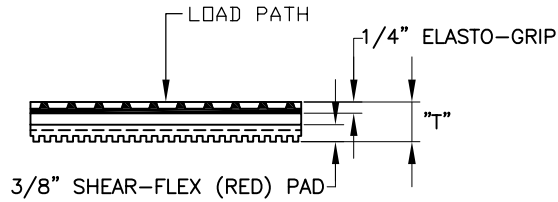


REV.	DESCRIPTION	DATE	BY



**TYPE "A"**

**TYPE "B"**

**TYPE "C"**

TYPE	PART NUMBER	MAXIMUM LOAD (LBS)		DIMENSIONS (INCHES)		
		STEADY	IMPACT	"L"	"W"	"T"
A-4	331929	280	200	2	2	7/8
A-9	331821	630	450	3	3	
A-16	331724	1120	800	4	4	
A-24	331627	1680	1200	6	4	
A-36	331422	2520	1800	6	6	
A-48	331325	3360	2400	8	6	
A-64	331228	4480	3200	8	8	1
A-80	331120	5600	4000	10	8	
A-96	331023	6720	4800	12	8	

TYPE	PART NUMBER	MAXIMUM LOAD (LBS)		DIMENSIONS (INCHES)		
		STEADY	IMPACT	"L"	"W"	"T"
B-4	331937	280	200	2	2	5/8
B-9	331732	630	450	3	3	
B-16	331635	1120	800	4	4	
B-24	331538	1680	1200	6	4	
B-36	331430	2520	1800	6	6	
B-48	331333	3360	2400	8	6	
B-64	331236	4480	3200	8	8	3/4
B-80	331139	5600	4000	10	8	
B-96	331031	6720	4800	12	8	

TYPE	PART NUMBER	MAXIMUM LOAD (LBS)		DIMENSIONS (INCHES)		
		STEADY	IMPACT	"L"	"W"	"T"
C-4	331945	280	200	2	2	3/4
C-9	331848	630	450	3	3	
C-16	331740	1120	800	4	4	
C-24	331643	1680	1200	6	4	7/8
C-36	331546	2520	1800	6	6	
C-48	331449	3360	2400	8	6	
C-64	331341	4480	3200	8	8	1
C-80	331244	5600	4000	10	8	
C-96	331147	6720	4800	12	8	

- NOTE:
- SPECIAL FLEX-PLATE SIZES, COMBINATIONS AND CAPACITIES AVAILABLE UPON REQUEST CONTACT VMC FOR AVAILABILITY.
  - PAD PATTERN MAY DIFFER.
- ⚠ TYPE B PAD REQUIRE AN ELASTOMERIC WASHER

OTHER MATERIALS, COMPOUNDS, OR FINISHES WITH EQUAL OR SUPERIOR PROPERTIES MAY BE SUBSTITUTED AS THEY BECOME AVAILABLE.



**CERTIFIED FOR:**

JOB NAME: \_\_\_\_\_

CUSTOMER: \_\_\_\_\_

CUSTOMER P.O.: \_\_\_\_\_

SALES ORDER: \_\_\_\_\_

**MODEL SHEAR-FLEX COMBINATION  
SHEAR PAD AND PLATE**



**VMC GROUP**  
CONTROLLED ENVIRONMENT SOLUTIONS™

Bloomington, NJ Houston, TX Corona, CA Wind Gap, PA

SCALE :	SHEET:	DRAWING NO.:	REVISION
NONE	1 OF 1		